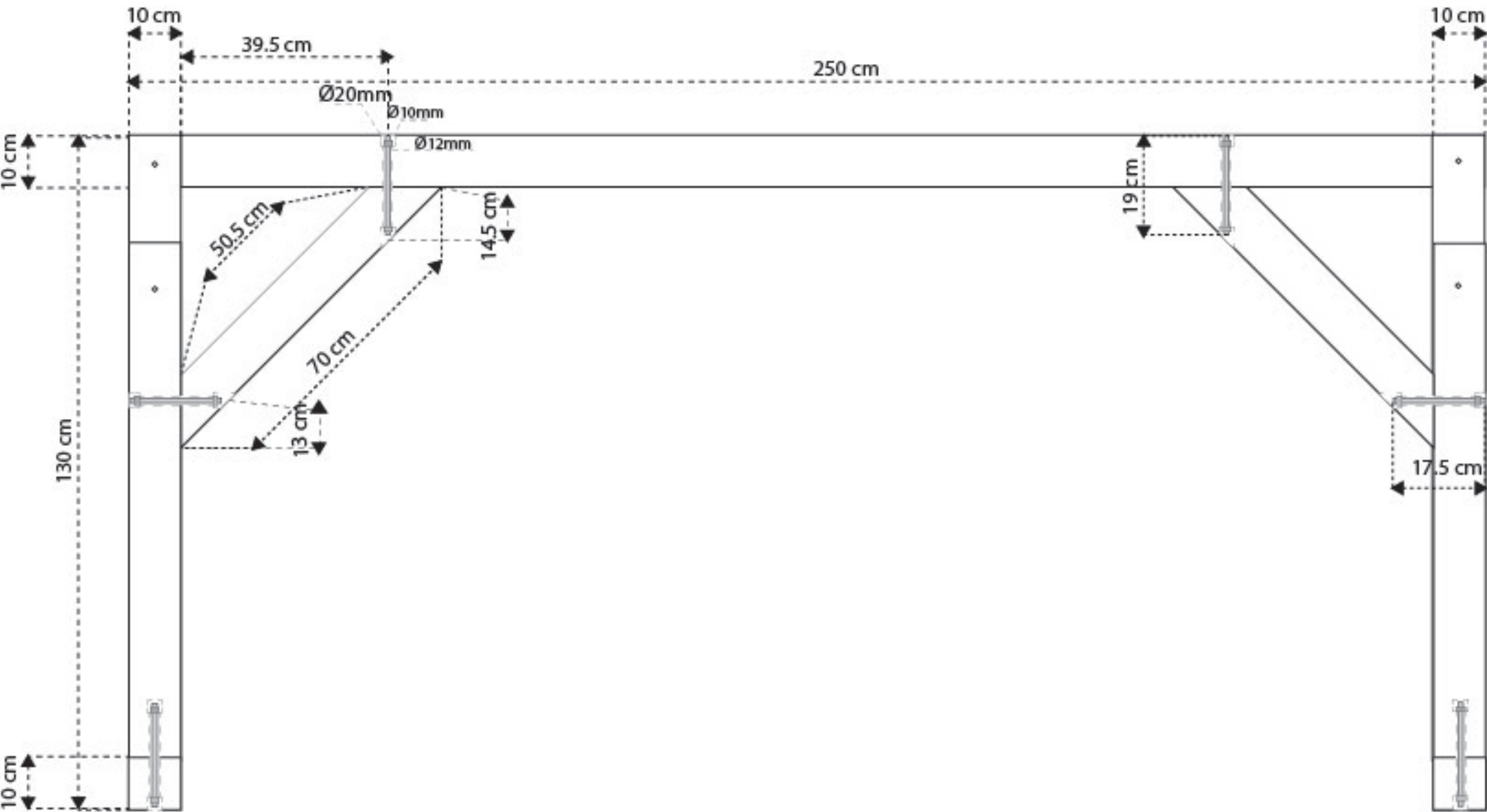


- 1. Size: 20m x 10m x 1.3m**
- 2. Number of sections:  
22 walls  
2 gates**
- 3. Sections measures: 2.5m x 1.3m**
- 4. Wood thin min. 100mm**

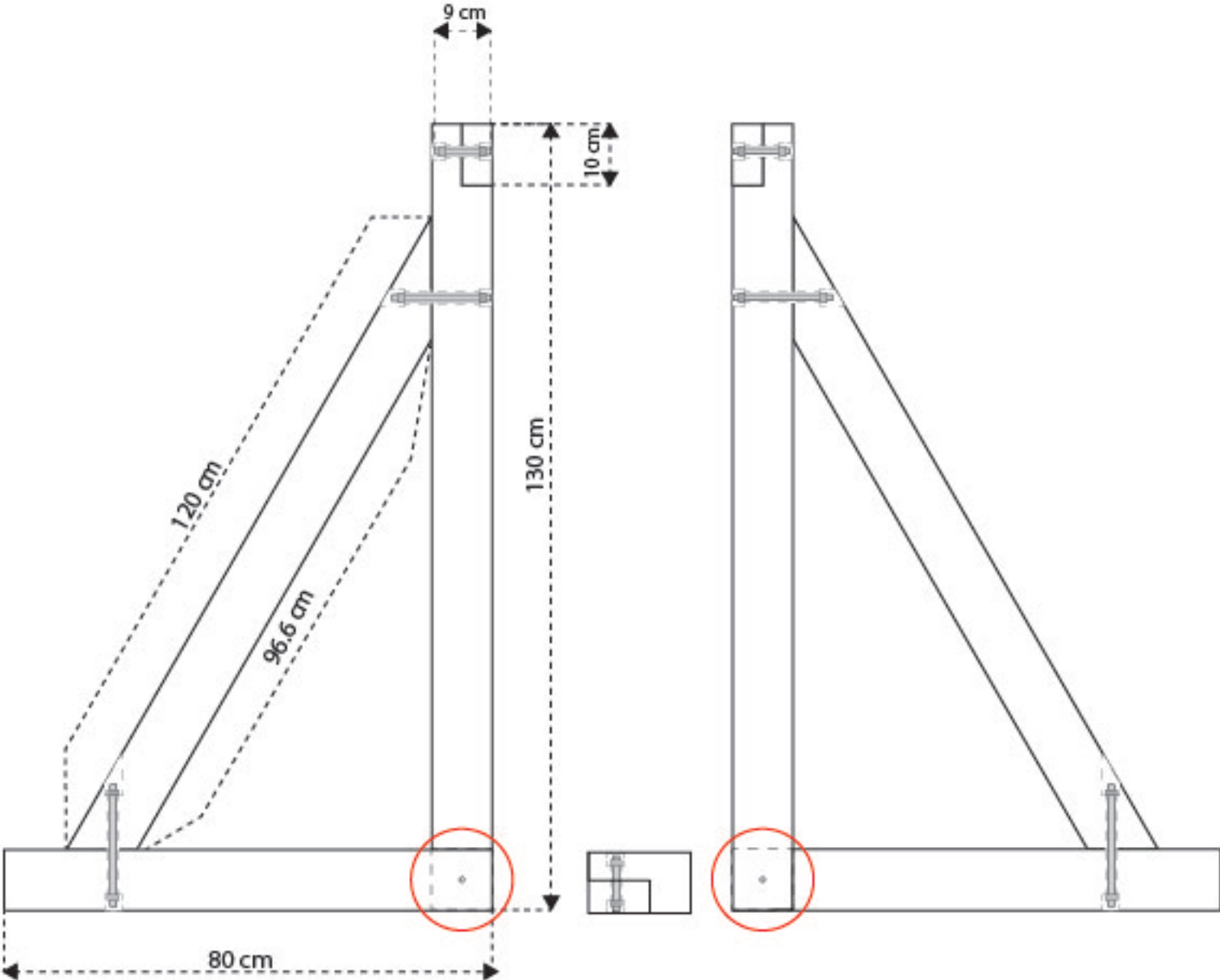
# Section

Front view



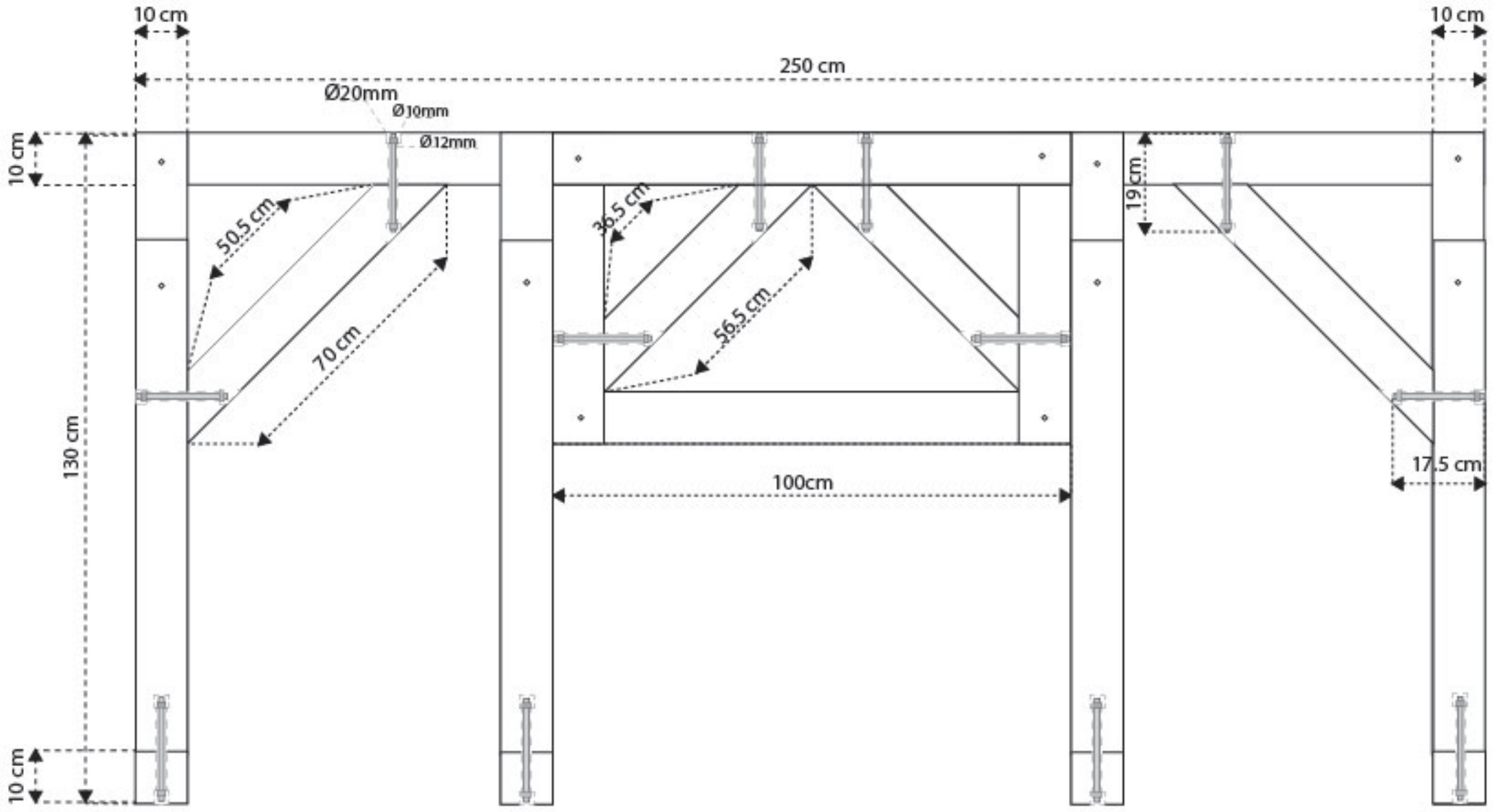
# Section

Side view



# Gate

Front view



# Gate

## Bolts and hinges

